

Quick Start Guide

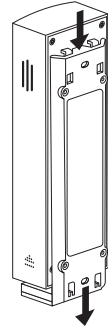
Battery Video Doorbell

710002271 REV1.0.0

*Images may differ from your actual product.

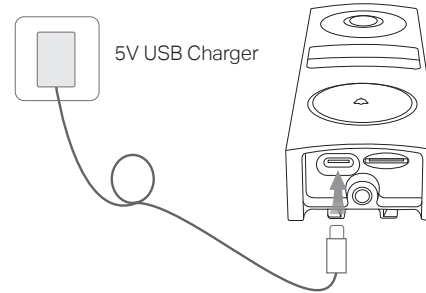
1 / Remove the Bracket

Press the top of the mounting bracket and push down to separate it from the doorbell.



2 / Charge the Doorbell Before Use

Plug in the USB cable to charge your doorbell. When you plug in the charger, the LED should blink amber quickly for 3 seconds.



Note:

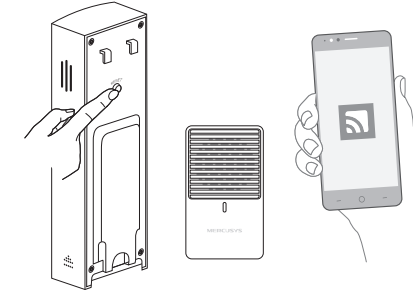
1. Charge the doorbell before use. This will take about 7 hours.
2. The USB charger is not provided.
3. Peel off film from the doorbell before use.
4. Warning: Do not tear off the silicone part by force as it may affect the waterproof performance.
5. Keep the ports firmly covered when not in use to ensure waterproof performance.
6. The doorbell may not power up after falling. Plug in the USB charger to power it on again.

3 / Set Up the Doorbell & Pair with the Chime

1. Get the MERCUSYS app from the App Store or Google Play, and log in.

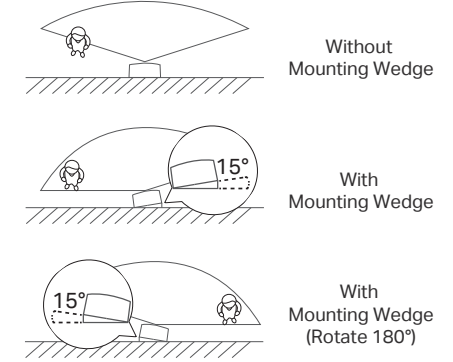


2. Press the RESET button on the back of the doorbell for 3 seconds to power on the doorbell. Tap the + button in the app and select your model. Follow the in-app instructions to set up your doorbell and pair with the chime.



4 / Installation Tips

1. Install the doorbell on a flat and clean wall.
2. The doorbell should be placed 1.2 m (4 ft) above the ground.
3. Use the included 15° mounting wedge for a more focused view from a specific side.



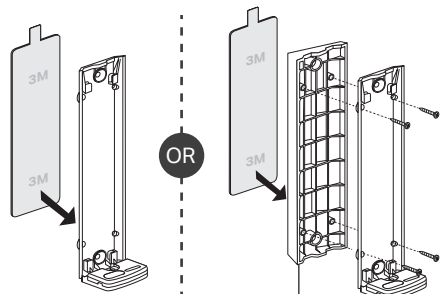
4. Avoid placing the doorbell close to a side wall in the field of view. If you must, use the mounting wedge to adjust the viewing angle to reduce reflected light from the wall for better night vision performance.

5 / Install the Doorbell

Option 1. Stick to a smooth wall

1. Attach the included adhesive to the **bracket or wedge**. If you use the wedge to adjust the angle, first affix the bracket and the wedge with the **mounting wedge screws**.

Note: The adhesive is for one-time use. Avoid re-using the adhesive to ensure its adhesion.

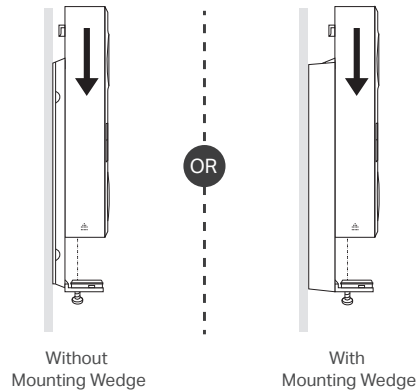


Mounting Wedge
You can flip it upside down to adjust the angle.

2. Wipe the surface with a dry cloth, stick the bracket (or bracket with wedge) with adhesive to a clean wall, and press for 15 seconds to ensure it's firmly attached.

Note: This is applicable with tile, glass, marble, metal, stainless steel, and smooth wall surfaces.

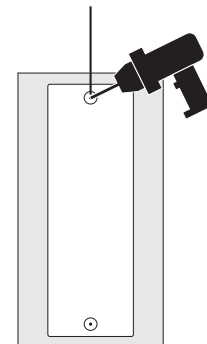
3. Attach the doorbell to the bracket, sliding down to the bottom until it clicks into place. Then tighten the screw at the bottom to secure the doorbell.



Option 2. Mount to the wall

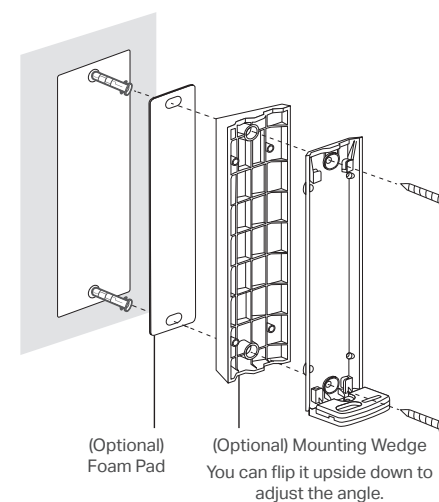
1. Stick the mounting template to the desired mounting place. Drill two holes according to the template.

Φ=6 mm (15/64 in.)

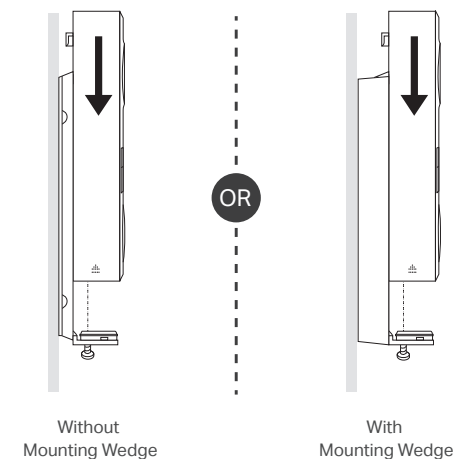


2. Insert two **anchors** into the holes. Use the **mounting screws** to affix the bracket (or wedge with bracket if you use the wedge to adjust the angle) over the anchors.

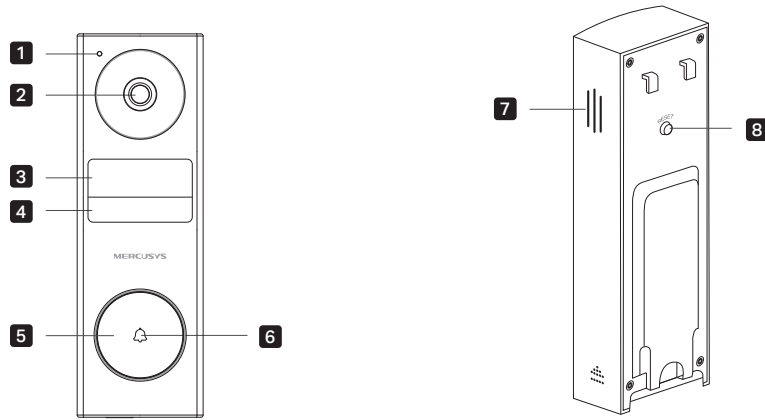
Note: When mounting to uneven walls, stick the foam pad on the back of the bracket (or wedge if used).



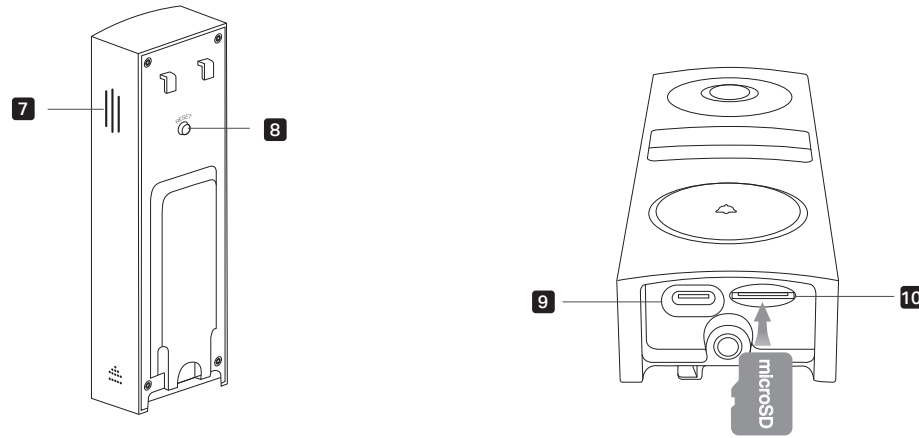
3. Attach the doorbell to the bracket, sliding down to the bottom until it clicks into place. Then tighten the screw at the bottom to secure the doorbell.



Doorbell Appearance

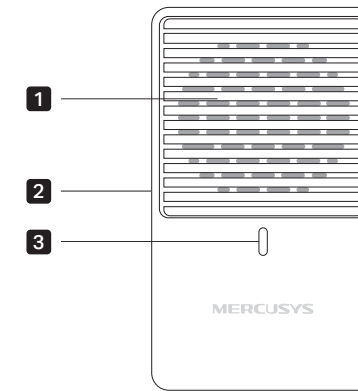


- 1** Microphone
- 2** Lens
- 3** Motion Sensor (PIR)
- 4** IR LED
- 5** Ring Button
- 6** Status LED



- 7** Speaker
- 8** RESET Button
Press and hold for about 5s: Reset the doorbell
- 9** USB Type-C Port
- 10** microSD Card Slot
Insert a microSD card. Initialize it on the MERCUSYS app for local recording.
*microSD card not included

Chime Appearance



- 1** Speaker
- 2** Reset Button
 - Press and hold for 5s: Reset Wi-Fi settings
 - Press and hold for 10s: Reset to factory settings
- 3** LED

Doorbell LED Indication

Solid red	Starting up
Blinking red and green	Ready for setup
Blinking red slowly	Connecting to Wi-Fi
Solid amber	Connected to Wi-Fi
Solid white	Connected to the cloud
Blinking red quickly	Doorbell resetting
Blinking white quickly	Doorbell updating
Blinking amber quickly for 3 seconds	Charging the doorbell

Chime LED Indication

Solid red	Starting up
Blinking red and green	Ready for setup
Blinking red slowly	Connecting to Wi-Fi
Solid amber	Connected to Wi-Fi
Solid green	Connected to the cloud
Blinking green quickly	Chime updating

How to Detach the Doorbell from the Wall

Loosen the screw at the bottom of the bracket. Hold the doorbell and pull it up to detach it from the bracket.



Safety Information

- Do not use damaged charger or USB cable to charge the device.
- Do not use any other chargers than those recommended.
- Do not use the device where wireless devices are not allowed.
- Adapter shall be easily accessible.
- Use only power supplies which are provided by manufacturer and in the original packing of this product. If you have any questions, please don't hesitate to contact us.
- For the doorbell, keep the device away from fire or hot environments. DO NOT immerse in water or any other liquid.
- For the chime, keep the device away from water, fire, humidity or hot environments.
- Do not disassemble, repair or modify the product.
- Do not place near automatically controlled devices such as fire alarms. Radio waves emitted from this product may cause such devices to malfunction resulting in an accident.
- Observe restrictions on using wireless products in fuel depots, chemical plants or when blasting operations are in progress.
- Do not use liquid to clean the product. Only use a dry cloth.
- Never put metal objects inside the product. If a metal object enters the product turn off the circuit breaker and contact an authorised electrician.
- This product is not intended to be used when providing medical care. Consult the manufacturer of any personal medical devices, such as pacemakers or hearing aids to determine if they are adequately shielded from external RF (radio frequency) energy.
- Do not use this product in health care facilities. Hospitals or health care facilities may be using equipment that could be sensitive to external RF energy.

- Do not place heavy objects on top of the product.
- When you leave the product unused for a long time unplug the product from the power outlet.
- This product may interfere with other electronic products such as TV, radios, personal computers, phones or other wireless devices.
- Always follow the local waste and recycle laws when you get rid of the used battery.
- Do not use the product if the casing has been broken. Danger of electric shock.
- Never touch the product with wet hands.
- This equipment can be powered only by equipment that complies with Power Source Class 2 (PS2) or Limited Power Source(LPS) defined in the standard of IEC 62368-1.
- The mounting height should not be higher than 2 meters.
- Doorbell Operating Temperature: -20 °C ~ 45 °C (-4 °F ~ 113 °F)
- Chime Operating Temperature: 0 °C ~ 40 °C (32 °F ~ 104 °F)
- Adapter should be used indoors where the ambient temperature is lower than or equal to 40 °C.

CAUTION!

Avoid replacement of a battery with an incorrect type that can defeat a safeguard.

Avoid disposal of a battery into fire or a hot oven, or mechanically crushing or cutting of a battery, that can result in an explosion.

Do not leave a battery in an extremely high temperature surrounding environment that can result in an explosion or the leakage of flammable liquid or gas; Do not leave a battery subjected to extremely low air pressure that may result in an explosion or the leakage of flammable liquid or gas.

Please read and follow the above safety information when operating the device. We cannot guarantee that no accidents or damage will occur due to improper use of the device. Please use this product with care and operate at your own risk.

MERCUSYS hereby declares that Battery Video Doorbell is in compliance with the essential requirements and other relevant provisions of directives 2014/53/EU, 2009/125/EC, 2011/65/EU and (EU)2015/863.

The original EU declaration of conformity may be found at <https://www.mercusys.com/ce>

MERCUSYS hereby declares that Battery Video Doorbell is in compliance with the essential requirements and other relevant provisions of the Radio Equipment Regulations 2017.

The original UK declaration of conformity may be found at <https://www.mercusys.com/support/ukca/>



©2025 MERCUSYS



Visit www.mercusys.com/support/ for technical support, the user guide, warranty, and more information

